

BRAKES

CONTENTS

Repairs

	Page
Servo assembly	1

Data, Torque & Tools

	Page
Torque Settings	1





SERVO ASSEMBLY

Service Repair No. 70.50.01

Remove

1. Raise front of vehicle.

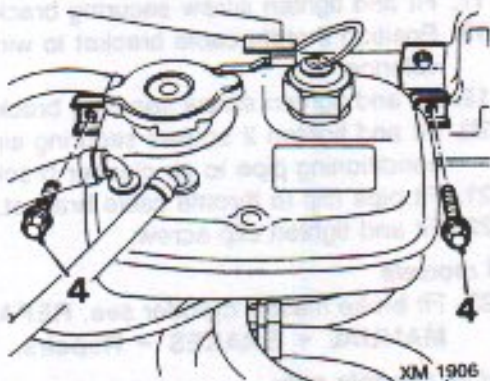
WARNING: Support on safety stands.

L.H.D. models only

2. Remove exhaust manifold heat shield, see **MANIFOLD AND EXHAUST - Repairs.**

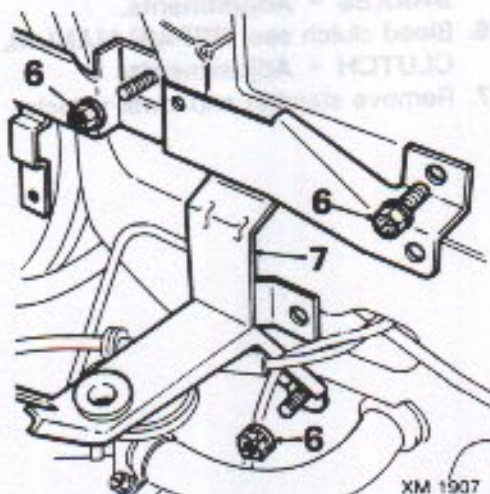
All models

3. Remove brake master cylinder, see **REPAIR MANUAL - BRAKES - Repairs.**

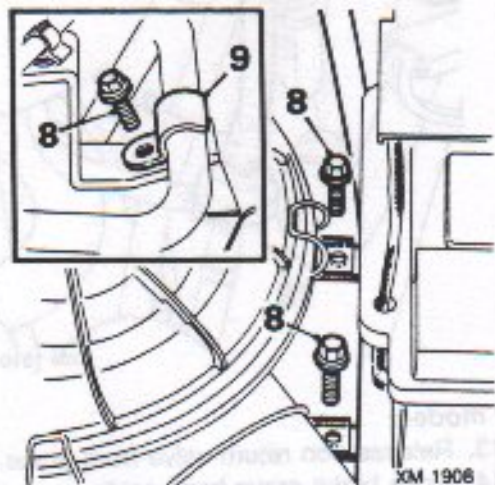


R.H.D. Models only

4. Remove bolts securing expansion tank to its mounting bracket.
5. Move tank aside.

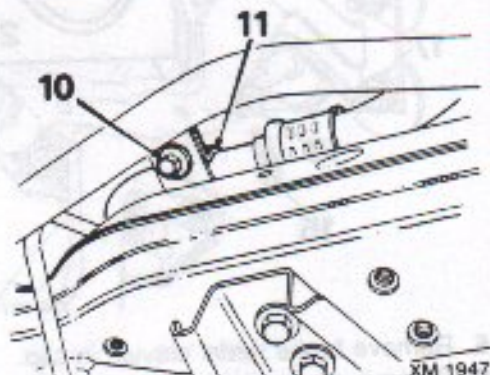


6. Remove nuts and screw securing tank mounting bracket to bulkhead.
7. Remove expansion tank bracket to facilitate brake servo removal.

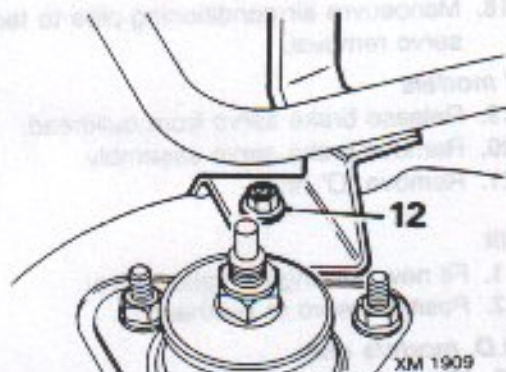


L.H.D. Models only

8. Remove 3 screws securing air conditioning pipe to air cleaner and throttle cable brackets.
9. Remove clip.

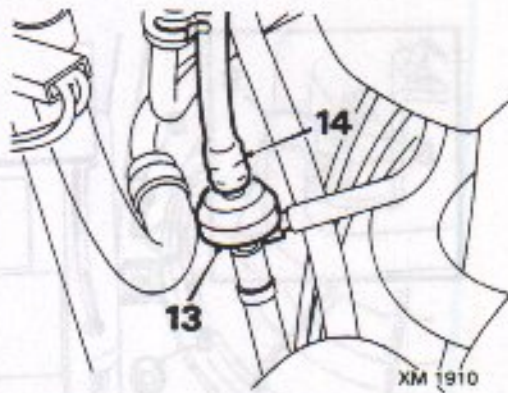


10. Remove screw securing air conditioning pipe clip to suspension rear cross member.
11. Remove clip.



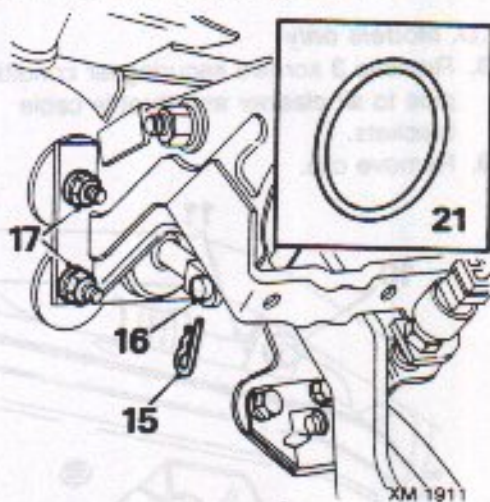
12. Remove screw securing throttle cable bracket to wing valance to allow air conditioning pipe movement.

BRAKES



All models

13. Release non return valve from brake servo.
14. Move brake servo hose aside.



15. Remove brake pedal clevis pin clip.
16. Remove clevis pin.
17. Remove 4 nuts securing brake servo to bulkhead.

L.H.D. models only

18. Manoeuvre air conditioning pipe to facilitate servo removal.

All models

19. Release brake servo from bulkhead.
20. Remove brake servo assembly.
21. Remove 'O' ring.

Refit

1. Fit new 'O' ring to brake servo.
2. Position servo to bulkhead

L.H.D. models only

3. Manoeuvre air conditioning pipe to facilitate brake servo refit.

All models

4. Position brake servo.
5. Fit and tighten nuts securing brake servo to bulkhead to 25 Nm.
6. Align brake servo shaft to brake pedal.
7. Lubricate clevis pin.
8. Fit clevis pin.
9. Fit clevis pin clip.

10. Lubricate non return valve grommet in brake servo.

11. Secure valve to brake servo.

R.H.D. models only

12. Position expansion tank bracket to bulkhead.
13. Fit and tighten nut and screw, bracket to bulkhead.
14. Position expansion tank to bracket.
15. Fit and tighten 2 bolts, expansion tank to bracket.

L.H.D. models only

16. Position air conditioning pipe bracket to suspension rear cross member.
17. Fit and tighten screw securing bracket.
18. Position throttle cable bracket to wing valance.
19. Fit and tighten screw securing bracket.
20. Fit and tighten 2 screws securing air conditioning pipe to air cleaner bracket.
21. Fit pipe clip to throttle cable bracket.
22. Fit and tighten clip screw.

All models

23. Fit brake master cylinder see, **REPAIR MANUAL - BRAKES - Repairs.**

L.H.D. models only

24. Fit exhaust manifold heat shield, see **MANIFOLD AND EXHAUST - Repairs.**

All models

25. Bleed brakes see, **REPAIR MANUAL - BRAKES - Adjustments.**
26. Bleed clutch see, **REPAIR MANUAL - CLUTCH - Adjustments.**
27. Remove stand(s) and lower vehicle.



TORQUE SETTINGS

Brake servo to bulkhead nuts 25 Nm