

BODY

CONTENTS

Repairs

	Page
Underbelly panel	1
Bonnet locking platform	1

Data, Torque & Tools

	Page
Torque Settings	1





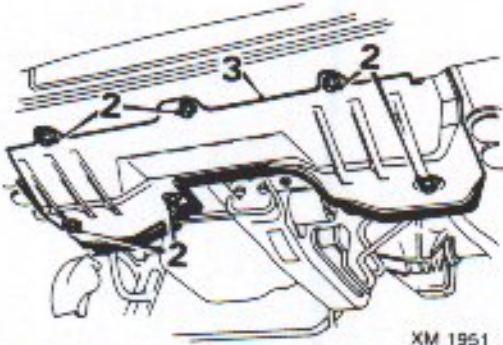
UNDERBELLY PANEL

Service Repair No. 76.10.50

Remove

1. Raise front of vehicle.

WARNING: Support on safety stands.



XM 1951

2. Remove 6 bolts, underbelly panel to body.
3. Remove underbelly panel.

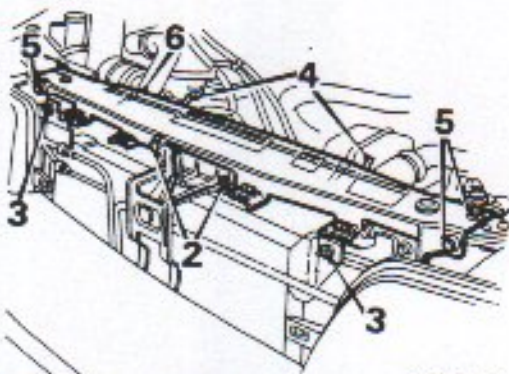
Refit

1. Position underbelly panel to body.
2. Fit bolts to underbelly panel, tighten to 10 Nm.
3. Remove stand(s) and lower vehicle.

BONNET LOCKING PLATFORM

Remove

1. Remove bonnet locking platform, see **REPAIR MANUAL - BODY - Repairs.**



XM1493

2. Remove nut and bolt, safety latch to bonnet locking platform.
3. *Air conditioning models* : Remove 2 nuts condenser to bonnet locking platform.
4. Release 2 clips securing bonnet release cable.
5. Remove 4 bolts, bonnet locking platform to body.
6. Remove bonnet locking platform.

Refit

1. Position bonnet locking platform to body.
2. Fit bolts securing bonnet locking platform to body, tighten to 25 Nm.
3. Secure bonnet release cable to bonnet locking platform.
4. *Air conditioning* : Fit nuts securing condenser fan to bonnet locking platform, tighten to 6 Nm.
5. Fit nut and bolt, safety latch to bonnet locking platform, tighten to 6 Nm.
6. Refit bonnet locking platform, see **REPAIR MANUAL - BODY - Repairs.**

**TORQUE SETTINGS**

Bonnet locking platform bolts	25 Nm
Condenser fan nuts	6 Nm
Safety catch nut and bolt	6 Nm